

# 彩神Flora T200 高速纺织数码喷墨印刷机

## 高标配，8色打印，支持灰度级打印 Variable color configuration, up to 8 colors



标配八色打印，最高可配置16个理光Gen5，客户可根据需要实现不同配置扩展。  
Equipped with 8-16 Ricoh print heads, with variable drop size from 7pl to 35pl. This allows users to produce both sharp images output with smoother gradients and quarterones, meanwhile to produce uniform, solid colors

## 墨盒自带内部循环功能 Subtank internal ink recirculation function



墨盒高低液位可实现墨水在喷头和墨盒之间自循环，防止墨水沉淀造成喷头堵孔。  
Internal recirculation system can effectively avoid the ink precipitation clogging the nozzles

## Technology

- 采用工业级喷头，具备灰度级打印技术  
Grayscale printing technology, variable drop size from 7pl to 35pl
- 最大打印宽幅可达1.8米  
Printing width up to 1.8m
- 草稿生产打印速度可达400平方米/每小时  
Draft quality printing mode speed up 400sqm/hr
- 适合墨水类型：活性墨水、酸性墨水、分散墨水  
Reactive, Disperse, Acid ink optional
- 布料收放、自动打印多功能一体技术  
Textile unwinding, Printing and winding functions all in one



## 自动清洗，保湿和墨水回收功能 Auto cleaning, capping & ink recovery system



喷头自动清洗，操作简单，清洗更彻底。自动保湿系统可防止待机状态下墨水干掉堵塞喷头墨水回收功能可回收墨水到墨桶，大大的减少墨水浪费。  
Auto cleaning system allows the print head auto prime and wiping controlled by software or panel, ink recovery system will help save ink cost.

## 导带自动清洗烘干功能 Automatic Conveyor Washing-Heating System



自动清洗印花导带并及时烘干，防止布料被污染，保证连续高效率生产

Washing the ink remains away and makes the conveyor belt clean and dry, which keeps the printing textile away from ink

contamination and ensures the high effective printing output.

## X轴采用直线电机+金属光栅尺 Liner Motor + Metal Raster Strip



X轴采用直线电机，相应速度更快，运动更稳定，加上金属光栅尺，定位更加准确。同时保证了高速，高精度的输出。

X axis are using liner motor, faster and stable. Metal raster encoder and strip helps ink drop placement much more accurate. Highspeed and high quality is available now!

## 自动张紧除皱功能 Loading and Wrinkle get-rid-of System



收放卷可调张力结构设计，织物运行平整，不起皱，保障精美的打印品质

Compact design, get rid of wrinkle on the surface of textile efficiently, flat and stable feeding ensure every single drop on the proper location during printing

## 技术参数 Technical Specifications

### 自动卷布系统

#### Automatic Winding System



T200配备可分离式自动卷布系统，客户可根据实际需要选择安装。收卷平整，方便后续加工。

Auto Winding device is configured with T200. Customer can fix it according to production line request.

### 手触式可操作界面，方便简单

#### Build-in touch Screen



嵌入式手触屏幕，节省空间，方便操作。

Embedded touch screen will save the space, and easy to operate.

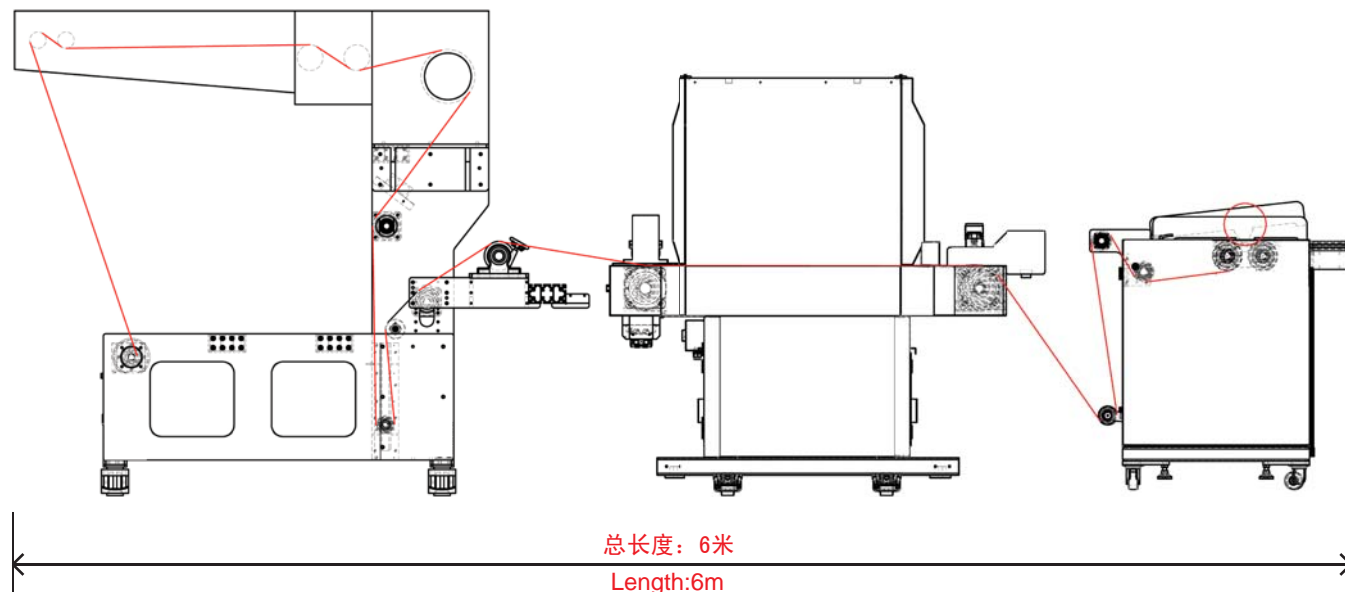
### 自动测高装置

#### Automatic Height Adjustment System



适用于各种厚度和尺寸的纺织材料，自动校准打印高度和自动探测喷头与介质之间的距离，以达到适合打印的最佳位置

The step motor with encoder detects and gauges the distance between the print heads and media, then automatically adjust to the optimized print height based on the thickness of loaded media.



机型 Model	T200	
喷头技术 Printing head	8~16 Ricoh Gen5	
喷绘速度 Printing Modes	605x300dpi(1Pass)	400 m2/hr
	605x600dpi(2Pass)	200 m2/hr
	605x900dpi(3Pass)	150 m2/hr
	605x1200dpi(4Pass)	100 m2/hr
输出精度 Print Resolution	最高分辨率为605x1200DPI Up to 605x1200DPI	
喷墨技术 Technology	按需即喷压电式喷墨技术 Piezoelectric inkjet	
墨水类型 Ink Types	活性墨水，酸性墨水，分散墨水 Reactive ink, Acid ink and Disperse ink	
墨桶 Ink Cartridge colors	最大支持8色（青色，品红，黄色，黑色，橙色，蓝色，红色，灰色） 8 Color (Cyan, Magent, Yellow, Black, Orange, Blue, Red, Light Black)	
墨桶容量 Ink Cartridge size	4升/色 4 Liter	
RIP软件 Rip Software	Neostamp, Ergosoft, Caldera, Onyx, Photoprint 10.5	
色彩控制 Color Management	国际标准的ICC颜色控制，曲线和密度用户可调等功能 ICC based Color, adjustment curves, density adjustment	
文件格式 File Fomats	TIFF, JPEG, Postscript, EPD, PDF, 等等 TIFF, JPEG, Postscript, EPD, PDF, etc.	

#### 介质系统 Media

物料运输 Handling	高精度伺服电机驱动大胶辊传动皮带，外置高精度纠偏和除皱系统的张力系统，以及自动收卷系统 High precision servo motor drive large rubber roller. External tension system with position correcting function and winding System
物料规格 Media Size	各种棉、麻、丝、尼龙、涤纶梭织或针织物，最大宽幅180cm，最大卷轴直径45cm。 Cotton, linen, silk, dacron, nylon etc. Up to 180cm, with a roll dimension 45cm
数据接口 Interfaces(standard)	高速USB接口 Fast standard USB port

#### 机器规格 Dimentions( L X W X H )

机器尺寸 Printer	430x170x180cm
包装箱尺寸 Shipping	471x228x220cm
机器重量 Weight	3500kg

#### 操作环境 Operating conditions

温度 Temperature	20~30°C
相对湿度 Relative Humidity	40%~70%
气压要求 Pressure Requirement	5.5~6Bar

#### 电源要求 Power

最大功率 Maximun	15KW
输入参数 Requirements	输入电压: 380VAC, 三相, 50/60Hz, MAX. 35A Input Voltage: 380VAC, Three Phase, 50/60Hz, Max.35A
保修期 Warranty	一年 One year limited warranty. (please consult your local dealer for accurate data)