

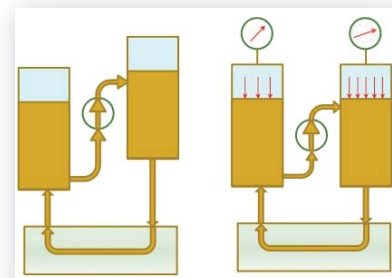
# 彩神Flora T1000 高速纺织数码喷墨印刷机

## 8色打印, 支持灰度级打印 Variable color configuration, up to 8 colors



标配八色打印, 最高可配置64个理光Gen5, 客户可根据需要实现不同配置扩展。  
Equipped with 64 Ricoh print heads, with variable drop size from 7pl to 35pl. This allows users to produce both sharp images output with smoother gradients and quarterones, meanwhile to produce uniform, solid colors

## 墨盒自带内部循环功能 Subtank internal ink recirculation function



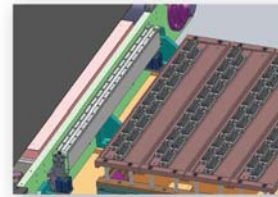
每个墨路有两级墨盒, 利用墨盒高低液位差, 驱动墨泵, 可实现墨水在喷头和墨盒之间循环, 防止墨水沉淀造成喷头堵孔。

Every ink line has two level subtanks, by using ink level difference to drive the motor working which will drive internal recirculation system to effectively avoid the ink precipitation clogging the nozzles

## Technology

- 采用工业级喷头, 具备灰度级打印技术  
Grayscale printing technology, variable drop size from 7pl to 35pl
- 最大打印宽幅可达2.6米  
Printing width up to 2.6 m
- 草稿生产打印速度可达1500平方米/每小时  
Draft quality printing mode speed up 1500sqm/hr
- 适合墨水类型: 活性墨水、酸性墨水、分散墨水  
Reactive, Disperse, Acid ink optional
- 多功能集于一体, 墨水搅拌&循环, 温度控制, 自动收卷布, 张布系统, 自动测高等等等  
Multi-function such as: Ink stirring, circulation, Temperature control, Auto winding and tension System, Auto height adjustment System

## 自动清洗, 保湿和墨水回收功能 Auto cleaning, capping & ink recovery system



喷头自动清洗, 操作简单, 清洗更彻底。自动保湿系统可防止待机状态下墨水干掉堵塞喷头墨水回收功能可回收墨水到墨桶, 大大的减少墨水浪费。

Auto cleaning system allows the print head auto prime and wiping controlled by software or panel, ink recovery system will help save ink cost.

## 导带自动清洗烘干功能 Automatic Conveyor Washing-Heating System



自动清洗印花导带并及时烘干, 防止布料被污染, 保证连续高效率生产

Washing the ink remains away and makes the conveyor belt clean and dry, which keeps the printing textile away from ink

contamination and ensures the high effective printing output.

## X轴采用直线电机+金属光栅尺 Liner Motor + Metal Raster Strip



X轴采用直线电机, 相应速度更快, 运动更稳定, 加上金属光栅尺, 定位更加准确。同时保证了高速, 高精度的输出。

X axis are using liner motor, faster and stable. Metal raster encoder and strip helps ink drop placement much more accurate. High speed and high quality is available now!

## 自动张紧除皱功能 Loading and Wrinkle get-rid-of System



收放卷可调张力结构设计, 织物运行平整, 不起皱, 保障精美的打印品质

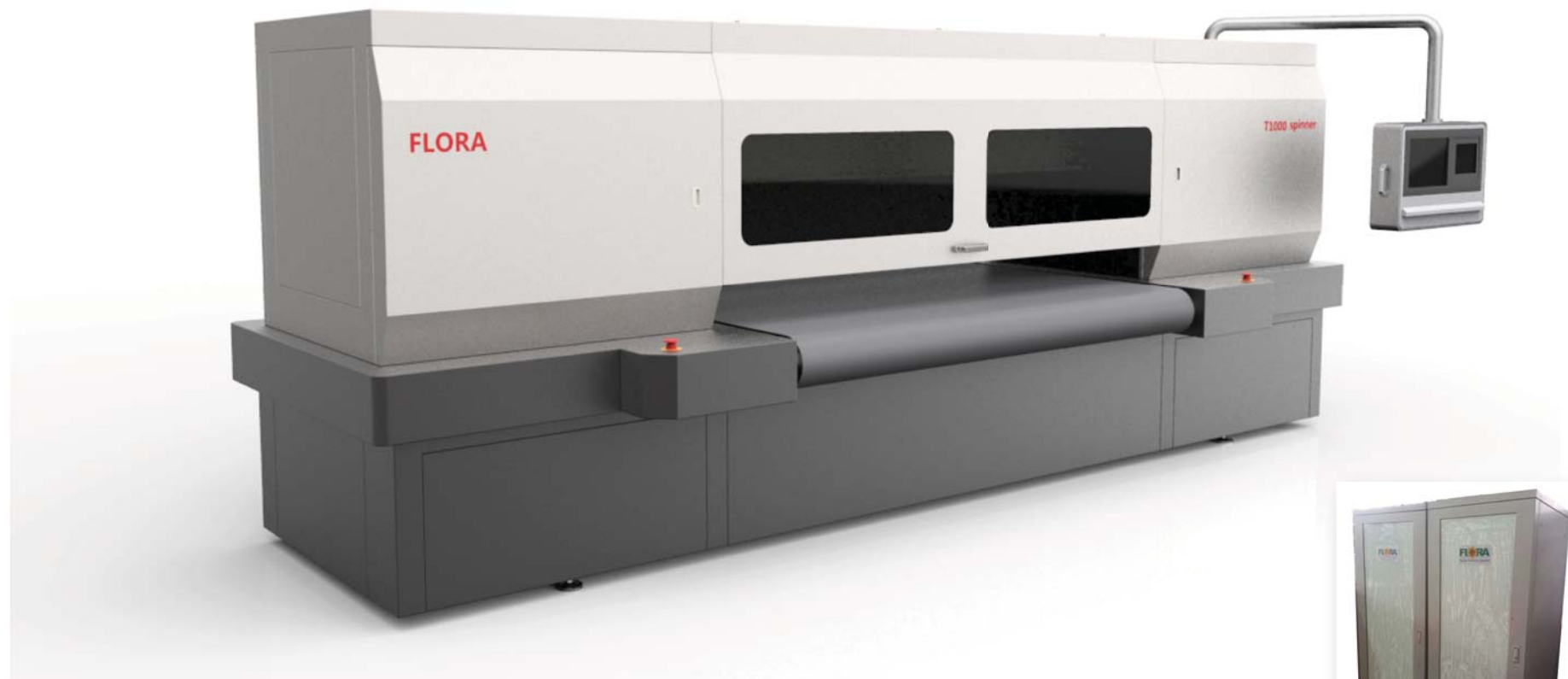
Compact design, get rid of wrinkle on the surface of textile efficiently, flat and stable feeding ensure every single drop on the proper location during printing

## 独立电气柜 Independent electro Box



独立电气柜, 抗干扰性更好, 且容易维护

Independent electro box is more stable and easily to maintenance.



自动卷布系统  
Automatic Winding System



T1000配备可分离式自动卷布系统，客户可根据实际需要选择安装。收卷平整，方便后续加工。

Auto Winding device is configured with T1000. Customer can fix it according to production line request.

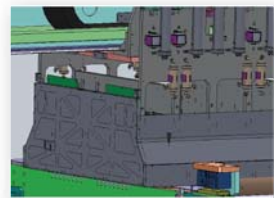
手触式可操作界面，方便简单  
Build-in touch Screen



外挂式手触屏幕，节省空间，方便操作。

Extral mounting touch screen will save the space, and easy to operate.

自动测高装置  
Automatic Height Adjustment System



适用于各种厚度和尺寸的纺织材料，自动校准打印高度和自动探测喷头与介质之间的距离，以达到适合打印的最佳位置

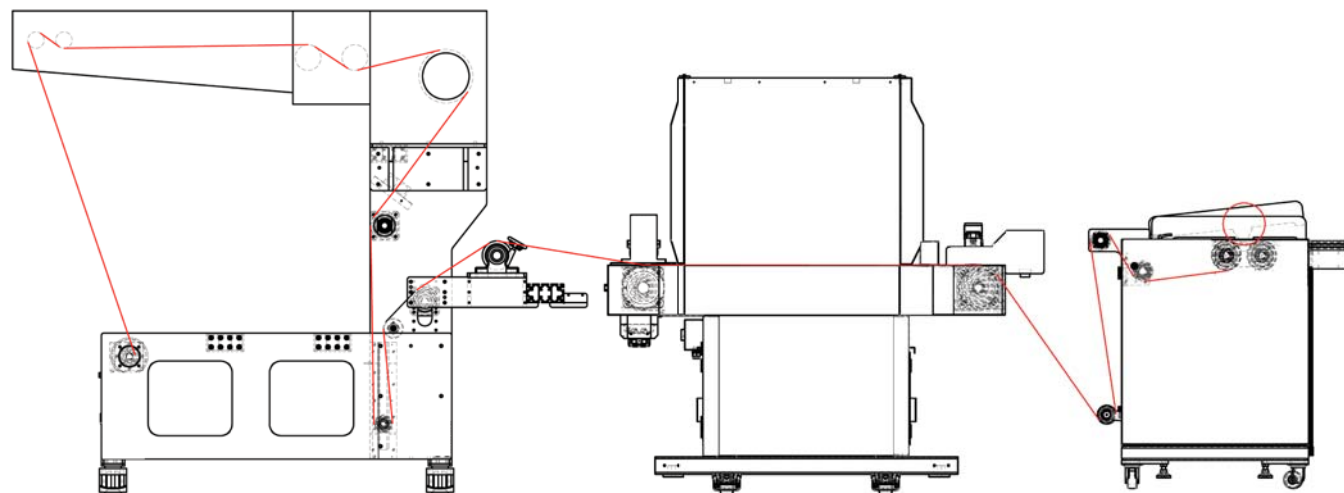
The step motor with encoder detects and gauges the distance between the print heads and media, then automatically adjust to the optimized print height based on the thickness of loaded media.

输送皮带可拆卸，便于现场检修更换  
Removeable transmitting belt with converient checking and replacement

采用系统总控和双单元独立分控电脑系统，总控WINDOWS系统和分控Linux系统，一体化工业服务器，数据传输更快，操作更方便，工作更稳定

Main control system (Windows) and independent sub-control computer system(Linux) for double units, and integrated powerful industry server to accelerate data transmitting and conveniently operation and running stability.

喷印驱动板卡选用进口高端主控芯片，抗干扰性强，稳定性好  
Imported high-end main control chip of printing driving board with strong anti-interface and excellent stability



## 技术参数 Technical Specifications

机型 Model	T1000	
喷头技术 Printing head	64 Ricoh Gen5	
喷绘速度 Printing Modes	600x300dpi	1400 m2/hr
	600x600dpi	700 m2/hr
	600x900dpi	450 m2/hr
	600x1200dpi	350 m2/hr
输出精度 Print Resolution	最高分辨率为600x1200DPI Up to 600x1200DPI	
喷墨技术 Technology	按需即喷压电式喷墨技术 Piezoelectric inkjet	
墨水类型 Ink Types	活性墨水，酸性墨水，分散墨水 Reactive ink , Acid ink and Disperse ink	
墨桶 Ink Cartridge colors	最大支持8色（青色，品红，黄色，黑色，橙色，蓝色，红色，灰色） 8 Color (Cyan, Magent, Yellow, Black, Orange, Blue, Red, Light Black)	
墨桶容量 Ink Cartridge size	11升/色 11 Liter	
RIP软件 Rip Software	Neostamp, Ergosoft, Caldera, Onyx, Photoprint 10.5	
色彩控制 Color Management	国际标准的ICC颜色控制，曲线和密度用户可调等功能 ICC based Color,adjustment curves,density adjustment	
文件格式 File Fomats	TIFF,JPEG,Postscript,EPD,PDF,等等 TIFF,JPEG,Postscript,EPD,PDF,etc.	
介质系统 Media		
物料运输 Handing	高精度伺服电机驱动大胶辊传动皮带，外置高精度纠偏和除皱系统的张力系统，以及自动收卷系统 High precision servo motor drive large rubber roller. Extnernal tension system with position correcting function and winding System	
物料规格 Media Size	各种棉、麻、丝、尼龙、涤纶梭织或针织物，最大宽幅260cm,最大卷轴直径150cm。 Cotton, linen,silk, dacron, nylon etc. Up to 260cm, with a roll dimension 150cm	
数据接口 Interfaces(standard)	高速USB接口 Fast standard USB port	
机器规格 Dimentions( L X W X H )		
机器尺寸 Printer	650x250x260cm(主机Printer) + 388x182x208cm(张力机构 Tension System)	
包装箱尺寸 Shipping	700x300x300cm(主机Printer) + 420x210x230cm(张力机构Tension System)	
机器重量 Weight	7000kg	
操作环境 Operating conditions		
温度 Temperature	20~30°C	
相对湿度 Relative Humidity	40%~70%	
气压要求 Pressure Requirement	5.5~6Bar	
电源要求 Power		
最大功率 Maximun	18.8KW	
输入参数 Requirements	输入电压: 380VAC, 三相, 50/60Hz, MAX.35A, 220VAC, 单相, 50/60Hz, Max. 25A Input Voltage: 380VAC, Three Phase, 50/60Hz, Max.35A; 220VAC, Single Phase, 50/60 Hz, Max.25A	
保修期 Warranty	一年 One year limited warranty. (please consult your local dealer for accurate data)	